

500VDC General Purpose Fuse for EV/HEV KHV150-XXYY Series

Description 描述

- ▶ General purpose fuse for EV/HEV用于純電動汽車和混合動力汽車的全範圍分斷熔斷器
- ▶ Stud-mount, optional for other installtion 螺栓安裝, 提供其他安裝方式選擇
- ▶ 500Vdc ideal for EV or HEV application 專為純電動汽車和混合動力汽車設計的500V直流熔斷器
- ▶ Excellent DC performance 卓越的直流分斷能力
- ▶ Special designed fuse base for vehicle situation 提供專為汽車惡劣環境特殊定制的熔斷器底座



Ordering PN Description/訂購料號說明

KHV150	-15	AP
Series No.	AMP	Assembly Code
系列號	額定電流	安裝方式

Type & Assembly code/安裝方式代碼:

- “AP” means center terminal bolt installation “AP” 代表中間端子螺栓安裝
- “BP” means bottom terminal bolt installation “BP” 代表底部端子螺栓安裝
- “CP” means PCB through holt installation “CP” 代表 PCB 引腳通孔安裝

Electrical Characteristics		
%of Ampere Rating (A)	Operating(s)	
	Min	Max
110%	14400	-
200%	1	300
300%	0.2	30
500%	0.1	10

Specifications 電氣特性('YY' means Assembly /'YY'代表安裝方式代碼)

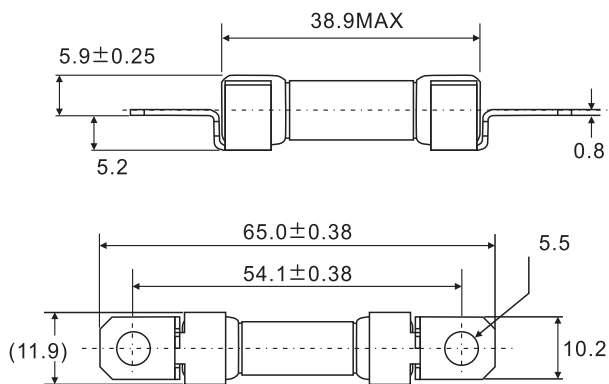
Ordering P/N 訂購料號	Rated Current 額定電流(A)	Rated Voltage/Interrupting rating 額定電壓下分斷
KHV150-5YY	5	500VDC/10000A
KHV150-6YY	6	
KHV150-8YY	8	
KHV150-10YY	10	
KHV150-15YY	15	
KHV150-16YY	16	
KHV150-20YY	20	
KHV150-25YY	25	
KHV150-30YY	30	
KHV150-32YY	32	
KHV150-35YY	35	500VDC/6000A
KHV150-40YY	40	

- ▶ Percentage of change in fuse current carry capability Change in ambient temperature 熔斷器隨溫度變化降額系數: -0.13%/°C
- *Temperature Rise 溫升: <=75K with rated current 額定電流下 小于等于75K
- <=45K with 60% of rated current 60%額定電流 小于45K

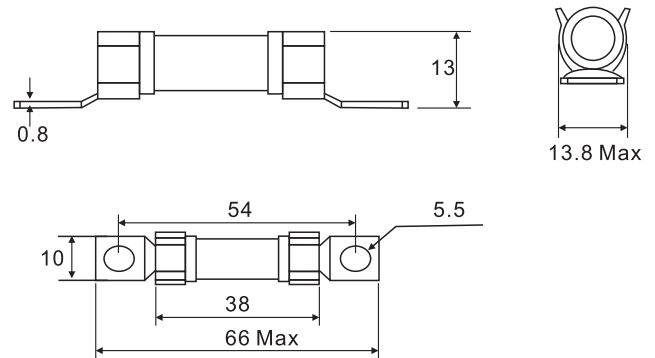
500VDC General Purpose Fuse for EV/HEV KHV150-XXYY Series

Dimension (mm)尺寸

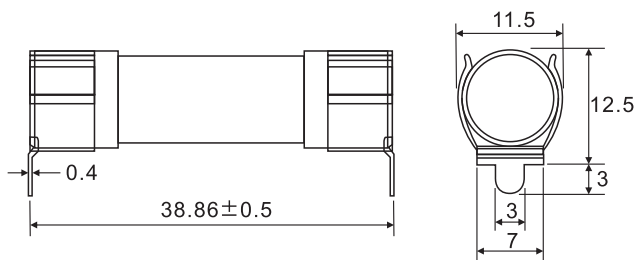
Assembly Code "AP" 中間端子螺栓安裝方式 "AP"



Assembly Code "BP" 底部端子螺栓安裝方式 "BP"



Assembly Code "CP" PCB引脚通孔焊接方式 "CP"



Time-Current Characteristics 時間-電流曲線

