

400V/500Vdc, 5x20mm, Fast Acting, Ceramic Tube Fuses HV530 Series

Description

- ▶ Fast Acting, high breaking capacity
- ▶ 5x20mm physical size
- ▶ Ceramic tube, Silver plated copper cap construction
- ▶ Designed to UL 248-1
- ▶ Lead Free and Halogen free material



Electrical Characteristics

Electrical Characteristics		
Rated Current	1.0In	2.0In
200mA-25A	4 hour min.	120 sec max.

Specifications

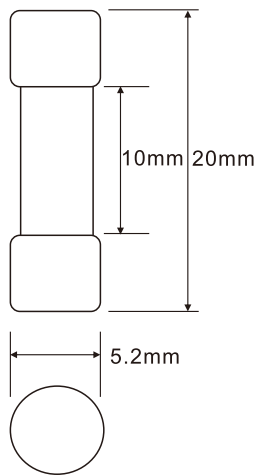
Specification								
Part No.	Rated Voltage		Rated Current	Breaking Capacity (A)		Typical Cold Resistance (mOhms)	Typical Voltage Drop (mV)	Typical Pre-Arching I ² t(A ² Sec)
	AC			400V	500V			
HV530.0.2	400V	500V	200mA	2000A	300A	6000	1200	0.02
HV530.0.4			400mA			2300	1000	0.018
HV530.0.5			500mA			500	850	0.06
HV530.0.6			600mA			460	650	0.08
HV530.0.8			800mA			245	500	0.09
HV530.1			1A			230	350	0.15
HV530.1.25			1.25A			176	300	0.3
HV530.1.6			1.6A			115	200	0.7
HV5300.2			2A			72.5	190	2.0
HV530.2.5			2.5A			53	180	3.8
HV530.3.15			3.15A			35.6	140	8.1
HV530.4			4A			26	120	14
HV530.5			5A			19.4	120	25
HV530.6.3			6.3A			13.8	110	47
HV530.8			8A			11.4	110	84
HV530.10			10A			10.6	110	95.3
HV530.12			12A			6.8	110	120
HV530.15			400V			15A	1000A	5.8
HV530.20	(Pending)	20A	(Pending)	4.6	110	460		
HV530.25	-	25A	-	2.0	100	1060		

- ▶ DC Cold Resistance are measured at <10% of rated current in ambient temperature of 25°C
- ▶ Typical Pre-arching I²t are measured at 10In Current

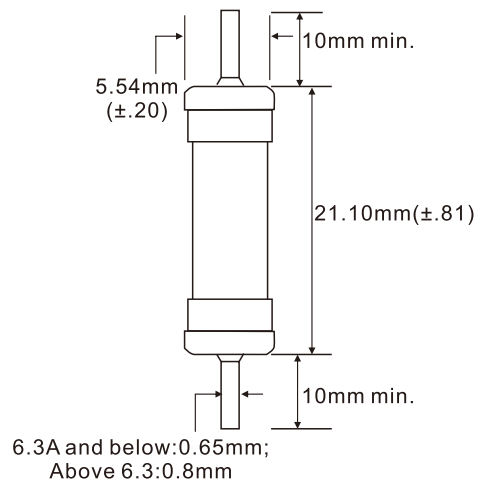
400V/500VDC, 5x20mm, Fast Acting, Ceramic Tube Fuses HV530 Series

Dimension

HV530.XXX



HV530.XXXP



Temperature Derating Curve

